

EHR2190 LIQUID RING VACUUM PUMP

Within Edwards' full range of liquid ring vacuum pumps, the EHR/SHR series offers a two-stage construction for peak performance at low suction pressures

Liquid ring pumps are ideal for pumping either dry or wet gases, with a high tolerance to liquid carry over. Pumps are available in a variety of materials which can be selected to handle the pumped process media.

All Edwards liquid ring pumps are available as part of ATEX category 1 or category 2 pump systems. The EHR2190 is ideal for vacuum distillation and evaporator applications in the chemical, pharmaceutical and biofuels industry, and is also suited to condenser air extraction in the power industry.

Pumps can be supplied as bare shaft or as part of a package complete with drive motor, discharge separator, heat exchanger and other accessories for recirculation of the seal liquid.



Features and Benefits

- *Two stage design - peak efficiency at high vacuum*
- *Operates across entire vacuum range*
- *Mechanical shaft seals*
- *Choice of construction materials*
- *Rugged, robust construction*
- *Minimum number of body joints*
- *Externally mounted bearings*



EHR2190 LIQUID RING VACUUM PUMP

Technical Data

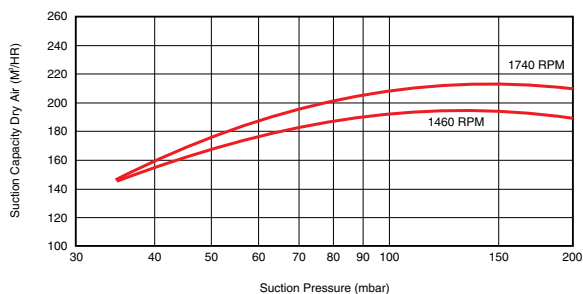
Performance details	50 Hz	60 Hz
Nominal capacity	190 m ³ /h	215 m ³ /h
Suction pressure	30 mbara	30 mbara
Nominal speed	1470 rpm	1740 rpm
Nominal motor power	5.5 kW	7.5 kW
Weight	90 kg	

Materials of construction

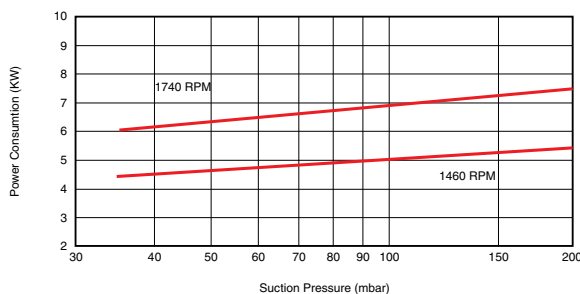
	Cast Iron	Stainless Steel	Stainless Steel Fitted
Casing	Cast Iron	CF8M	Cast Iron
Body	Cast Iron	CF8M	Cast Iron
Impeller	SG Iron	CF8M	CF8M
Shaft	420S37	316S11	316S11
Seals	Mechanical	Mechanical	Mechanical

Edwards reserves the right to use equivalent materials.

Speed Curves

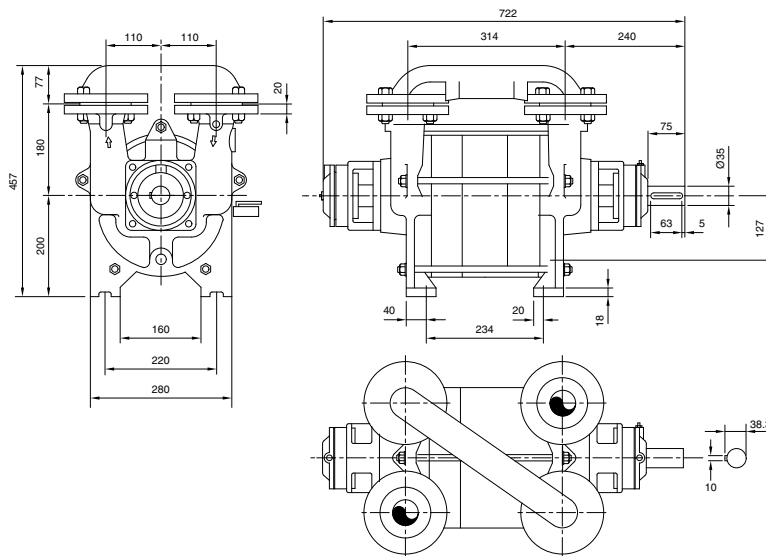


Power Curves



Dimensions

Service liquid connection Rp 1/2"



Suction & discharge connection 50mm NB BS4504 NP16

Global Contacts

EUROPE

UK Crawley +44 1293 528844
 UK Local Rate (UK only) 08459 212223
 Belgium Brussels +32 2 300 0730
 France Paris +33 1 4121 1256
 Germany Munich 0800 000 1456
 Italy Milan +39 02 48 4471

USA

Tewksbury, MA +1 978 658 5410
 Toll free (USA only) +1 800 848 9800

ASIA PACIFIC

Taiwan R.O.C. Toufen Town +886 37 611 422
 Singapore +65 6546 8408

BRAZIL

Sao Paulo +55 11 3952 5000

CHINA

Shanghai +86 21 5866 9618

INDIA

Pune +91 20 4075 2222

ISRAEL

Qiryat-Gat +972 8 681 0633

KOREA

Bundang +82 31 716 7070

JAPAN

Yachiyo +81 47 458 8831



WWW.EDWARDSVACUUM.COM

info@edwardsvacuum.com

Rev 01/2009
 Publication Number: EHR2190895, Issue A
 © Edwards Limited 2009. All rights reserved.
 Edwards and the Edwards logo are trade marks of Edwards Limited.