



Enhanced care for your patients

A holistic approach to therapy management reporting

PHILIPS

RESPIRONICS

sense and simplicity

Philips Respironics data management product portfolio

PSG systems

All our products connect with Alice diagnostic family systems for a deep and accurate assessment of the therapy, breath-by-breath data



Alice PDx



Alice 6

Data management software

All our devices come with an SD card to allow access at any time to therapy data through EncorePro and/or DirectView (trends and waveforms*) to assess therapy efficacy and adjust settings if necessary

* Only on Trilogy and BiPAP A30

EncorePro DirectView



System One REMstar range



System One BiPAP autoSV Advanced



System One BiPAP S/T and BiPAP AVAPS



BiPAP A30



Trilogy100 and Trilogy200

Oximetry connectivity

All our devices feature SpO₂ connectivity to give instant and non-invasive feedback on the SpO₂ of the patient



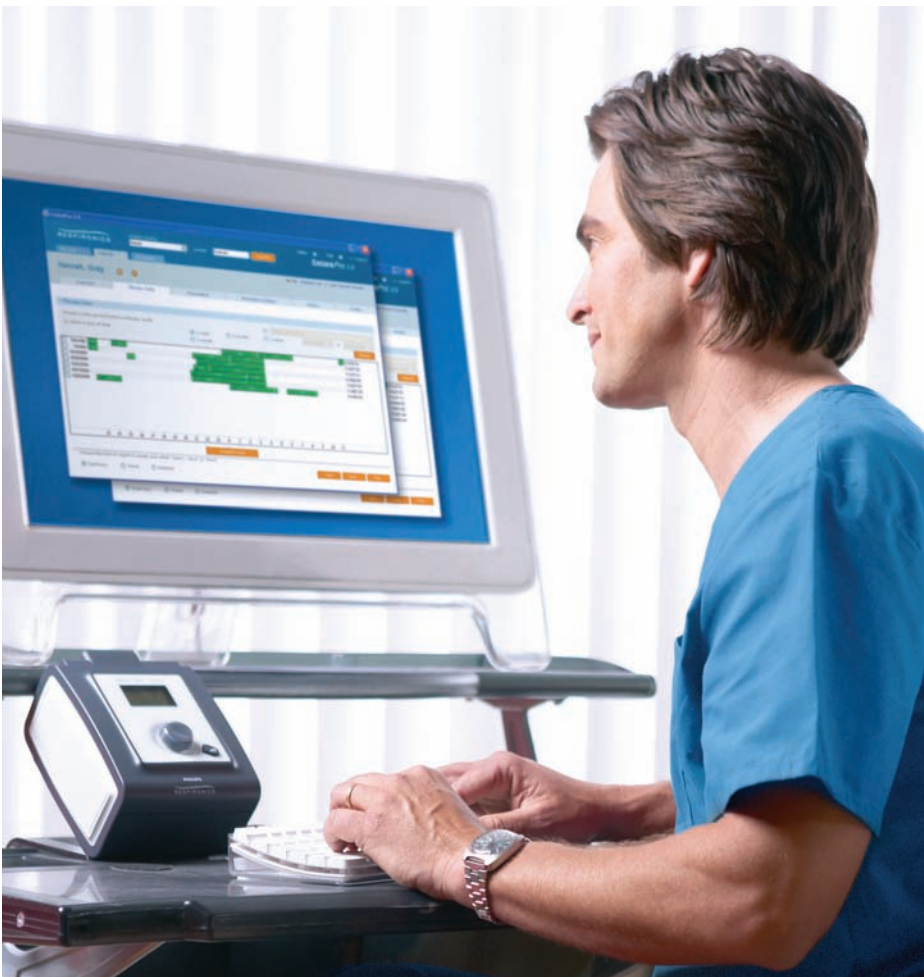
Somnolyzer 24x7

Validated, accurate and efficient computer-assisted sleep scoring system



Data management is a key component of successful chronic disease patient management. Deeper therapy data analysis supports clinical decisions and offers early recognition of disease progression or changes to the patient's condition. Continued monitoring of patient therapy efficacy helps improve patient care. A healthcare professional's access to reliable therapy data is an essential part of the patient care pathway, allowing the guidance of the patient through titration and discharge, ultimately bringing healthcare home.

Because we know that being at home can work wonders



Instant, easy and non-invasive, SpO₂ feedback is a key patient vital sign that is widely used as an indicator of therapy efficacy.

With the addition of the Philips Respironics Oximetry Module, pulse rate and SpO₂ data can be displayed against the other therapy parameters both graphically and statistically thereby providing physicians an additional means to assess the need for prescription adjustments - quickly and simply.

Philips Respironics Oximetry Module solution features Masimo SET® technology, which is proven to provide accurate measurements and a low false alarm rate, even during the challenging conditions of patient motion and low peripheral perfusion.

Oximetry capability from sleep therapy to home ventilation

Sleep therapy



System One REMstar range

For the treatment of Obstructive Sleep Apnea



System One BiPAP autoSV Advanced

For the treatment of complex breathing patterns such as: CSR, CSA, mixed apneas and complex apneas

Home ventilation



System One BiPAP S/T and BiPAP AVAPS

For the treatment of non-dependent chronic respiratory insufficiency patients (adults and children > 7yrs old and 18kg)



BiPAP A30

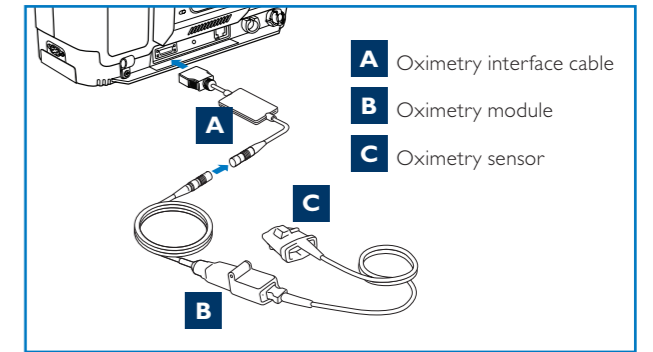
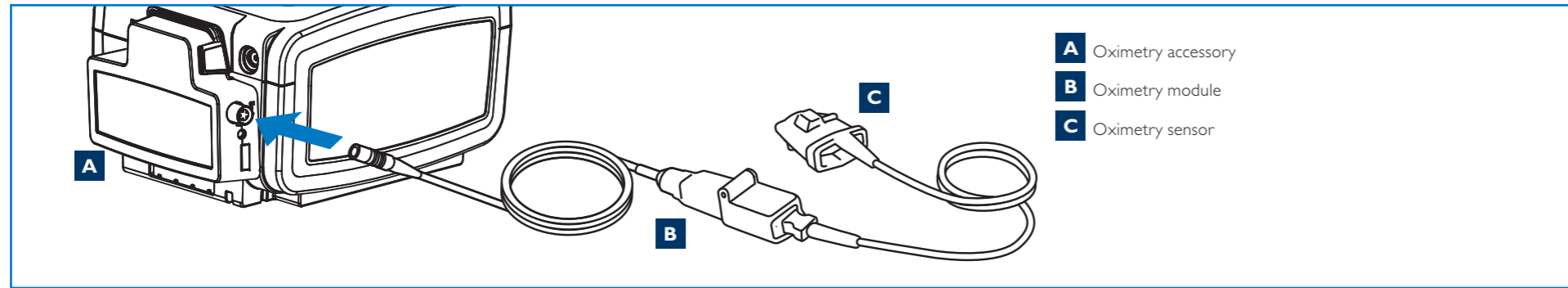
For the treatment of non-dependent chronic respiratory insufficiency patients (adults and children > 10kg)



Trilogy100 and Trilogy200

For the treatment of progressive and dependent chronic respiratory insufficiency patients (adults and children > 5kg)

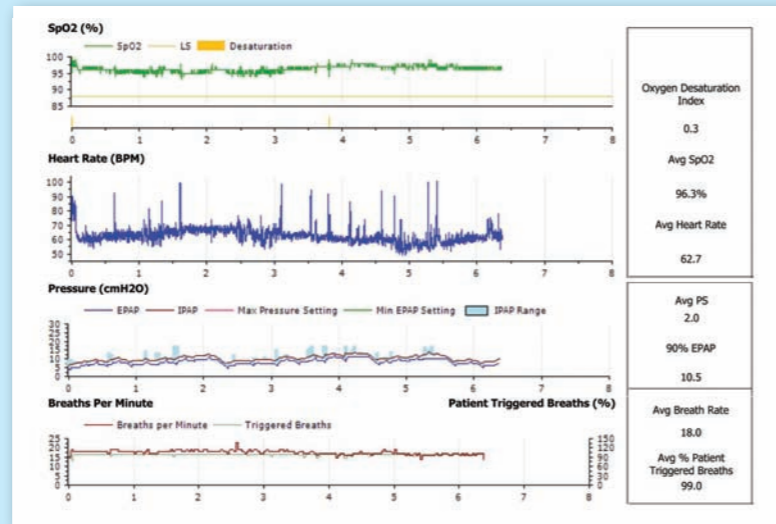
Oximetry connectivity



Data management software

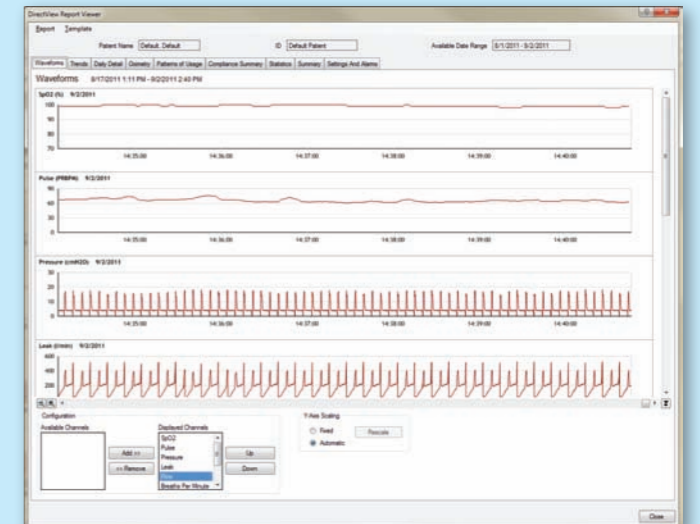
EncorePro

Oximetry data is recorded on the SD card of the oximetry accessory and appears in the Daily Details section of the EncorePro reports



DirectView

Oximetry data is recorded on the SD card of the device and appears in the Oximetry tab of DirectView as well as in the Waveforms tab for Trilogy and BiPAP A30 only



Product features	System One REMstar range	System One BiPAP autoSV Advanced	System One BiPAP S/T & BiPAP AVAPS	BiPAP A30	Trilogy100 & Trilogy200
HR/SpO ₂ displayed on screen		✓	✓	✓	✓
EncorePro compatibility	✓	✓	✓	✓	
DirectView compatibility			✓	✓	✓
Low SpO ₂ alarm					✓

Ordering information

Part no.	Description
100215E	Oximetry accessory, INTL includes carry case (PN 1070185) and optional oximetry module (PN 1075383)
1075383	High performance/low power oximetry module
1080964	Oximetry interface cable for Trilogy includes carry case (PN 1070185) and optional oximetry module (PN 1075383)
1082474	Masimo extension cable for LNCS sensor connector (4ft/122 cm)
1019531	Masimo Standard Multisite Wrap, 100/box
1019532	Masimo Cleanshield Multisite Wrap, 100/box
1070185	Accessory carrying case

Part no.	Masimo oximeter sensors description
1081984	LNCS DCI Adult reusable sensor (> 30 kg)
1081515	LNCS DCIP Pediatric reusable sensor (10-50 kg)
1081516	LNCS DBI Adult soft reusable sensor
1081517	LNCS Amtx Adult disposable sensor, 20/box (> 30 kg)
1081518	LNCS Pmtx Pediatric disposable sensor, 20/box (10-50 kg)
1081519	LNCS Inf Infant disposable sensor, 20/box (3-20 kg)
1081985	LNCS YI Multisite reusable sensor (> 1 kg)



All marks used in this document are owned by Respiration Inc. or its affiliates or subsidiary companies.

Please visit www.philips.com/respiration



© 2012 Koninklijke Philips Electronics N.V.

All rights are reserved.

Philips Healthcare reserves the right to make changes in specifications and/or to discontinue any product at any time without notice or obligation and will not be liable for any consequences resulting from the use of this publication.

Broudy AE 10/12/11 MCI 4104806 PN 1093372

Philips Healthcare is part of Royal Philips Electronics

Philips Respiration International Headquarters
+33 1 47 28 30 82
Philips Respiration Asia Pacific
+65 6882 5282
Philips Respiration Australia
+61 (2) 9947 0440
Philips Respiration United Kingdom
+44 800 1300 845

Philips Respiration
1010 Murry Ridge Lane
Murrysville, PA 15668

Customer Service
+1 724 387 4000
800 345 6443 (toll free, US only)
www.philips.com/respiration